



FIREPEX™ RESIDENTIAL FIRE SPRINKLER SYSTEM

PEX FOR PROFESSIONALS

APPROVED FOR NFPA 13D

FIREPEX RESIDENTIAL FIRE SPRINKLER SYSTEM

The FIREPEX program combines all the benefits of a PEX-based sprinkler system with the traditional installation technique and configurations familiar to the fire sprinkler professional.



What is FIREPEX?

Consisting of RAUPEX® Pipe and EVERLOC® fittings, FIREPEX provides the same proven performance enjoyed for over 35 years by contractors around the world.

These components, combined with residential sprinkler heads, meet the requirements for fire protection systems as defined in the National Fire Protection Association Standard 13D for Installation of Sprinkler Systems in One- and Two- Family Dwellings and Manufactured Homes. FIREPEX is also listed for Underground Service in accordance with NFPA 24.

FIREPEX is UL (UL 1285, 1713 & 1821) and C-UL (ULC/ORD C199P) listed. The system is also listed in accordance with the ANSI/NSF 61 standard for potable drinking water applications.

RAUPEX Pipe

RAUPEX is a durable yet flexible pipe. These features are derived from the PEXa production process perfected by REHAU in 1967. The high degree of cross linking results in a robust pipe with enhanced temperature capability, cold expansion and long term strength.

EVERLOC Fitting System

Manufactured from solid brass, the REHAU EVERLOC compression sleeve fitting system is designed to withstand even the toughest conditions. EVERLOC connections can be made quickly and easily and do not require flame, heat or solvent.

EVERLOC fittings are ready for service as soon as they are connected and can even be encased in concrete. They have a larger inside diameter than typical PEX crimp ring fittings, resulting in superior flow characteristics and reduced pressure loss.

Sprinklers

REHAU also offers several UL listed residential sprinkler heads to meet a wide variety of applications including concealed, recessed pendent and horizontal sidewall.

Any residential sprinkler head will easily thread onto the specially designed EVERLOC fittings. Each fitting (tee, elbow or straight) has integrated mounting holes for easy installation.

Key Benefits and Features

- Flexible for fewer connections
- Fast and simple installation
- Freeze break resistance
- UL listed up to 2" (50mm)
- Corrosion resistance
- 25-year limited warranty

EASE OF INSTALLATION

FREEDOM OF DESIGN

Why Choose FIREPEX?

FIREPEX combines the convenience of a light-weight, flexible PEXa pipe with the design and layout techniques of more traditional fire sprinkler systems. The flexibility of RAUPEX pipe ensures that no unnecessary joints are required between fittings.

Installing Contractor

- No risk of call backs resulting from "dry fittings"
- Unlike other PEX systems, FIREPEX is installed without a "spiderweb" of pipe, providing a traditional flow-through configuration
- Using a reverse installation technique, sprinkler fittings can be easily located according to the design, after which the pipe can be run to all fittings throughout the home for quick and simple connections
- Excellent cold weather performance both during installation and if accidentally left to freeze

Builder/General Contractor

- More than 20 years of RAUPEX and EVERLOC being used behind walls and encased in concrete without leaks
- RAUPEX flexibility allows contractors to easily work around dry wallers, framers and other trades

Authority Having Jurisdiction (AHJ)

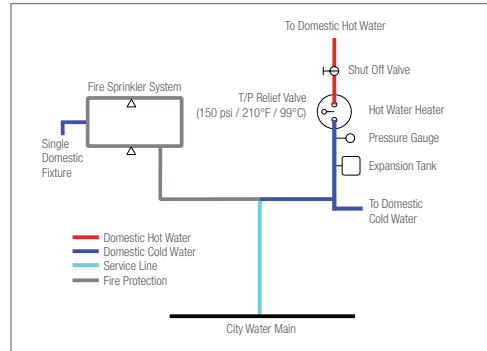
- NFPA 13D approved
- FIREPEX can be tested immediately after installation due to no cure time

FIREPEX is Approved for NFPA 13D

Multipurpose Applications

- System with a working pressure up to 130 psi
- Ambient temperature rating of 120°F (49°C)

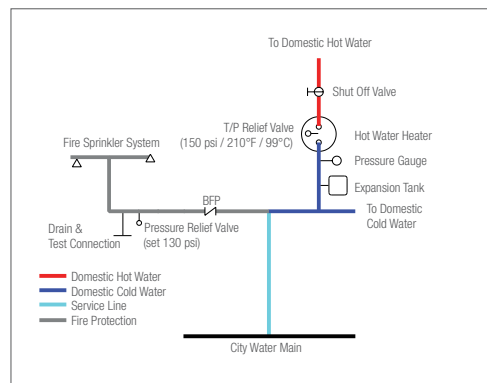
Multipurpose Installation Options



Local code requirements will determine exact configuration. Check with the AHJ to define what constitutes a multipurpose system in your local area.

Single plumbing fixture

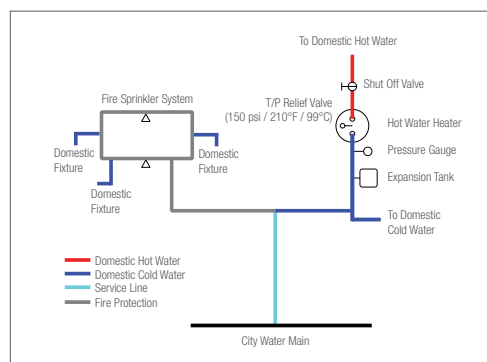
This configuration uses a shared service that splits off once inside the property. In this way, dedicated tradesmen are responsible for the fire sprinkler and plumbing aspects of the installation with the exception of one plumbing fixture; typically a hose bib or WC. The plumbing fixture acts as a pressure relief mechanism in accordance with NFPA 13D.



Local code requirements will determine exact configuration. Check with the AHJ to define what constitutes a multipurpose system in your local area.

Shared service line

This configuration uses a shared service line that splits off once inside the property. With AHJ approval, a UL listed pressure relief valve set at 130 psi can replace the plumbing fixture which acts as a pressure relief mechanism in accordance with NFPA 13D. This is the simplest method of installing the REHAU Fire Protection System as no plumbing fixtures are required.



Local code requirements will determine exact configuration. Check with the AHJ to define what constitutes a multipurpose system in your local area.

Fully integrated

This configuration uses a shared supply line servicing both the sprinkler requirement and domestic plumbing needs. The various plumbing fixtures act as a pressure relief mechanism in accordance with NFPA 13D.



Why Install a FIREPEX Residential Fire Sprinkler System?

- Nearly 84% of all fire-related deaths occur in the home
- Sprinklers installed with smoke detectors can improve the chance of survival by 82% in the event of a fire
- Homes with sprinklers have nine times less property damage than homes without
- Residential fire protection is a life safety system that should be part of every home installation

The REHAU Advantage

When you choose a REHAU residential fire protection system, you're not only choosing a system that will serve you well into the future, but also the technical and design expertise of a company with more than 50 years of experience in polymer processing technologies.

As a fire protection professional, the transition to installing a FIREPEX system is easy. REHAU supplies everything you will need to successfully design and install our residential fire protection system. Contact your local REHAU representative for more information.

For updates to this publication, visit na.rehau.com/resourcecenter



The information contained herein is believed to be reliable, but no representations, guarantees or warranties of any kind are made as to its accuracy, suitability for particular applications or the results to be obtained therefrom. Before using, the user will determine suitability of the information for user's intended use and shall assume all risk and liability in connection therewith. To the extent permitted by law, REHAU EXPRESSLY DISCLAIMS ALL IMPLIED WARRANTIES, INCLUDING BUT NOT LIMITED TO, ANY IMPLIED WARRANTIES OF MERCHANTABILITY OR OF FITNESS FOR A PARTICULAR PURPOSE.

© REHAU Incorporated 2007 Printed in USA